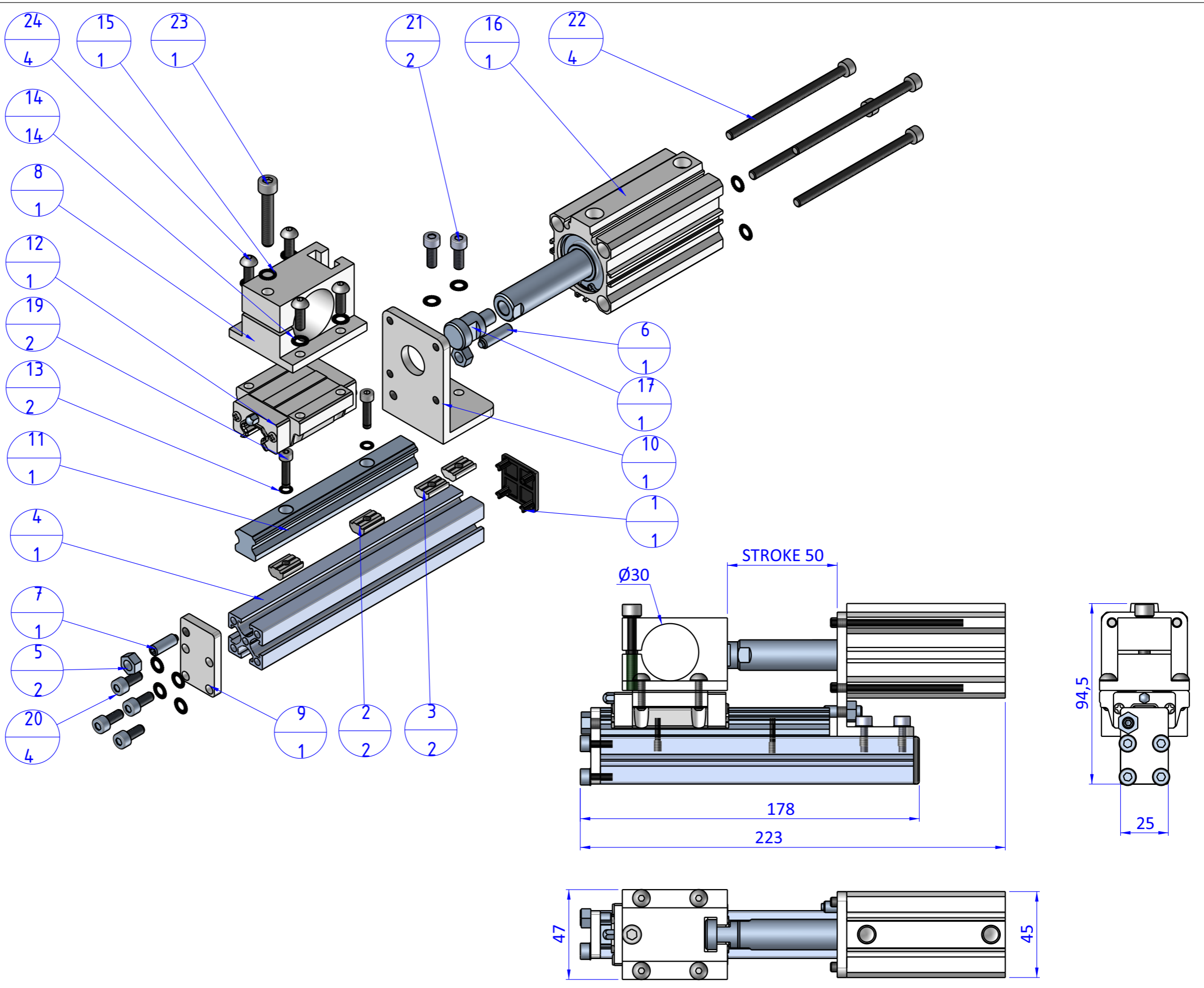



THE PROPERTY OF THE DRAWING IS ESTABLISHED BY LAW. IT IS FORBIDDEN TO PRODUCE OR SHOW IT TO THIRD PART - WITHOUT A WRITTEN AGREEMENT.

Item	Name	Q.ty
1	CA.ADK.X.2525.1	1
2	CA.GWP.4U	2
3	CA.GWP.5U	2
4	CA.X.2525.164	1
5	D.6	2
6	EL.GN.13722	1
7	EL.GN.13723	1
8	HEH.30.01	1
9	HEH.30.02	1
10	HEH.30.03	1
11	HI.HGR15R120	1
12	HI.HGW15CCZ0H	1
13	R.4.SCH	2
14	R.5.SCH	14
15	R.6.SCH	1
16	SMC.CDQ2B32TF-50DZ	1
17	SMC.YU-03	1
24	V.TBCE.5X16.BUTT	4
19	V.TCE4x18	2
20	V.TCE5x12	4
21	V.TCE5x14	2
22	V.TCE5x85	4
23	V.TCE6x35	1



Format A3
UNI 936-76

 FPS FPSERVICES AUTOMATION		DESIGNED FROM		REVIEW
		FPS Automation		A
GENERAL TOLERANCE		DATE	WEIGHT	
UNI - ISO 2768		09/09/2021	0,236kg	
CLASSE f		CODE		
		CA.HEH.30.50		CA.HEH.30.50